



PLA-2861

Professional Array Loudspeaker

Made
in
Germany

APPLICATION

- Public Address and Voice Alarm
- Background Music
- Audio Visual

AREA OF USE

- Health
- Education
- Retail
- Hospitality
- Stadiums
- Transportation
- Theme parks
- Military

OVERVIEW

The PLA-2861 is a compact, passive loudspeaker array with a length of 100 cm. It is fitted with a 16x2" chassis and enables controlled frequency from 150 to 20,000Hz. The integrated passive circuit controls the chassis with different runtimes. This achieves a controlled beam of 20° vertically and 150° horizontally.

The sound characteristics of the PLA-2861 can be switched from speech to music, depending on the application. In addition, the frequency characteristics can be set to "wide" or "narrow". The integrated transformer enables both 70/100 volt and low-impedance operation with 8 ohms.

Typical applications are highly reflective or acoustically problematic listening areas such as ballrooms, auditoriums, worship places, train stations, airports, schools, shopping centers or exhibition areas, as well as for open-air sound reinforcement. Due to the exact radiation behavior of the PLA-2861 sound lines, the systems can be aligned very precisely. Thus, the sound energy is concentrated on the pure listening area and destructive reflections are minimized. The result is a clear and precise reproduction with a very high level of speech intelligibility on deep sound paths.

The PLA-2861 loudspeaker array is suitable for both indoor and outdoor installations. The PLA-2861 speaker array is available in black (PLA-2861 S) and white (PLA2861 W).

Mounting options:

The 10xM6 mounting points on the back enable a wide range of installation variants.

Wall mount

The optional wall bracket PWH-080W allows wall mounting with simultaneous pan and tilt function.

Mast mount

The optional mast mount PWH-080M allows attachment to standard masts with simultaneous tilting function.

Tripod mount

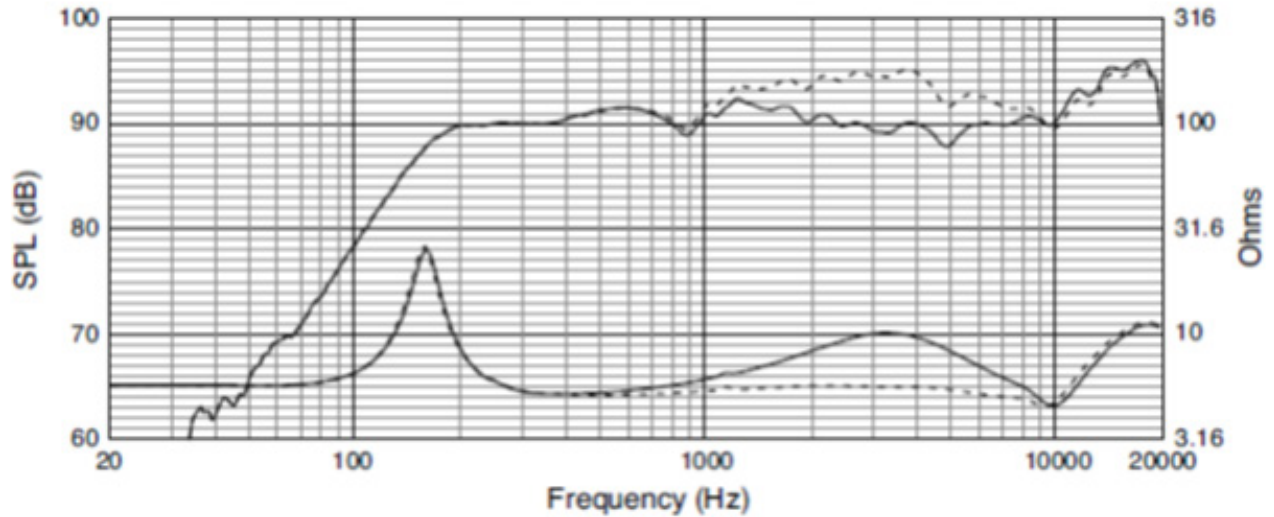
The optional tripod mount PWH-080S allows attachment to a standard tripod with 3/8" thread with simultaneous tilting function.



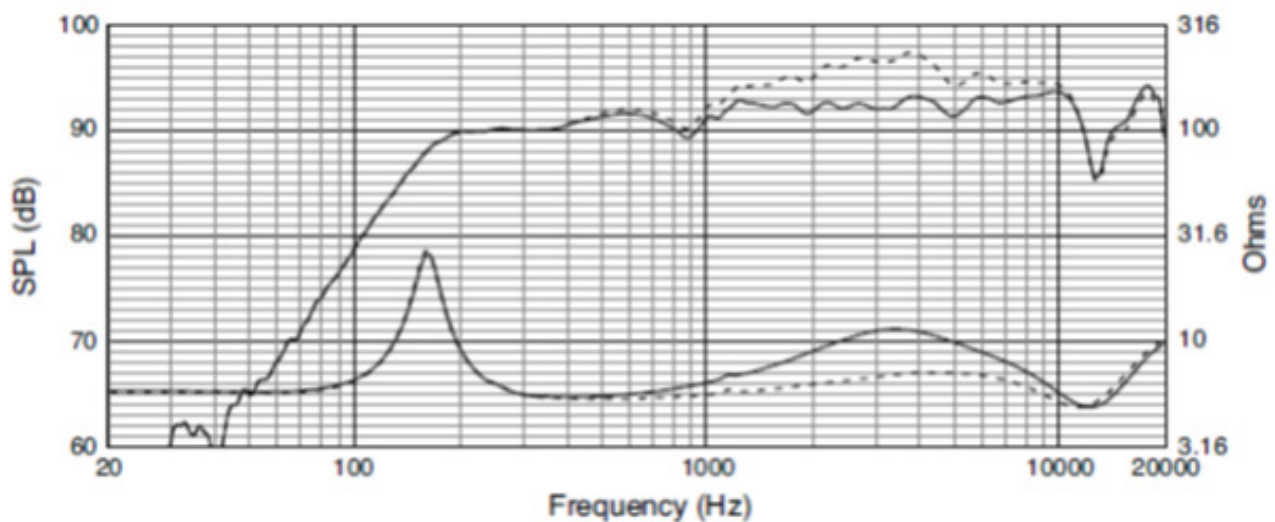


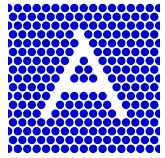
Frequency response (1W/1m) and impedance

Setting "Wide"

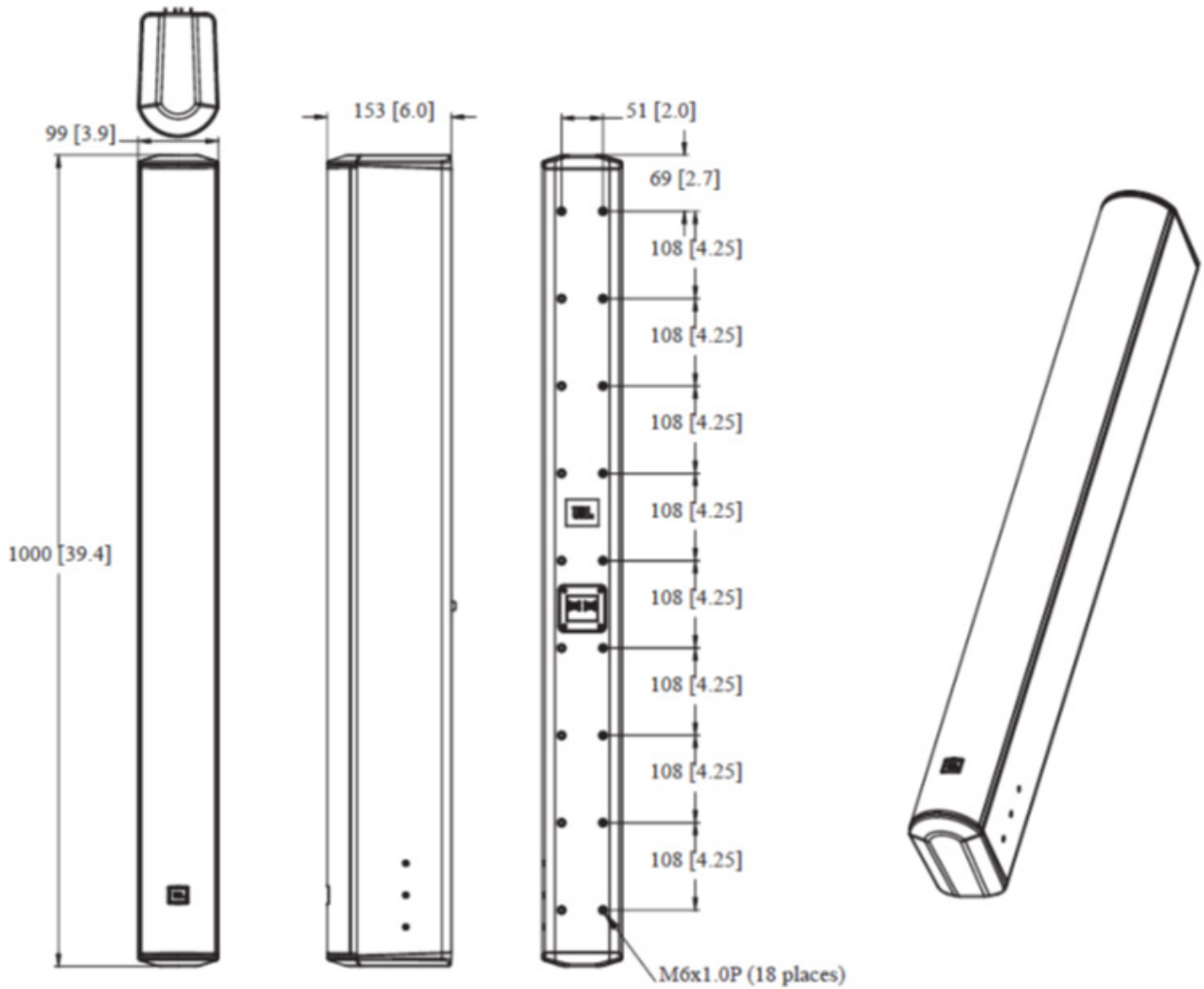


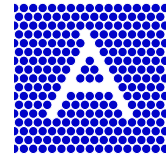
Setting "Narrow"





Technical drawing: Dimensions in mm





TECHNICAL DATA

Designation	PLA-2861 Wide setting	PLA-2861 Narrow setting
Rated load at 100V	120W / 60W / 30W	120W / 60W / 30W
Rated load at 8 Ohm	3250W max 2 hours; 200W max. 100 hours	3250W max 2 hours; 200W max. 100 hours
Frequency range	120Hz - 20kHz (-10dB)	120Hz - 20kHz (-10dB)
Sound pressure level, 1 W/1 m	Speech mode: 93 dB, Music mode: 90 dB	Speech mode: 96 dB, Music mode: 93 dB
Sound pressure level SPLmax/4m	Speech mode: 118 dB, Music mode: 115 dB	Speech mode: 121 dB, Music mode: 118 dB
Opening angle horizontal, -6dB, 1 kHz - 4kHz	150° +/- 20°	150° +/- 20°
Opening angle Vertical, -6dB, 2kHz - 16kHz	40° +/- 10°	15° +/- 10°
Operating mode	Speech or Music	
Dimension (H x B x T)	1000x99x153mm	
Weight	7,2kg	
Material	Fiberglass reinforced ABS body, painted aluminum grille	
Protection class	IP55	
Mounting (optional)	Wall mount PWH-080W Pole mount PWH-080M Tripod mount PWH-080S	
Connection	3 pin terminal	
Color	Black(S) or White(W)	

All rights reserved.

Information contained in this document is believed to be accurate, however no representation or warranty is given and Audemo-systems in Germany assumes no liability with respect to the accuracy of such information.



Member of the ZVEI - Central Association
for the Electrical Engineering and Electrical
Industry eV Safety Association



AUDEMO - SYSTEMS GmbH (Headquarter)

Schatzbogen 62 81829 Munchen
Tel.: +49 (0) 89 1 4 56 78 47 - 0, Fax: +49 (0) 89 1 4 56 78 47- 2900
info@audemo-systems.de, www.audemo-systems.de

AUDEMO Middle East General Trading (Middle East & North Africa)

P.O.BOX: 43594, Abu Dhabi, United Arab Emirates
Tel : +971 (02)6263836, info@audemo-me.com