



## SS-20W-ABS



- UV-resistant
- easy power adjustment
- 2-Way system



EN 54-24:2008  
**Ref. Nr.:** 020-33  
**ID-Code:** SAA-LS33  
1438-CPR-0766

AUDEMO-SYSTEMS GmbH  
Schatzbogen 62 81829 München,  
Germany  
CE-Symbol gemäß Richtlinie 93/68EWG

The 20W speaker is equipped with a 100mm 2-way bass reflex system and offers powerful sound with a wide and homogeneous dispersion. The SS-20W-ABS has a 100V transformer with 4 power adjustments, these can be easily adjusted by a rotary switch on the top of the sphere. Low impedance operation is also possible.

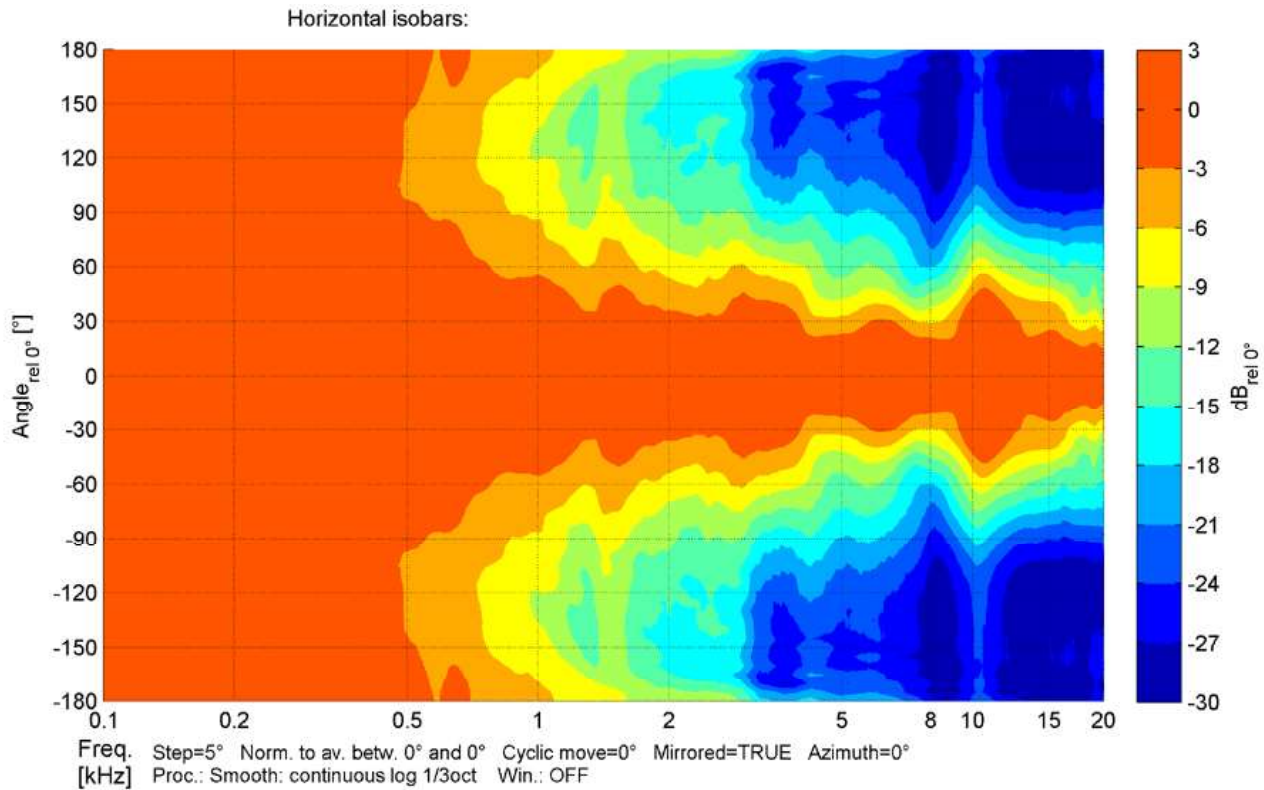
The impact-resistant, UV-resistant ABS plastic housing in RAL 9016 guarantees lasting stability. Additional operational safety is provided by the 2-pole ceramic terminal block, a thermal fuse, a PG screw connection integrated into the canopy and the moisture impregnation of the loudspeaker. The loudspeaker is protected against the risks of environmental influences with protection class IP65.

The connection is made via a 2-core, 4.5m long cable. Quick and uncomplicated installation using mounting hooks and canopy.

The speaker is compliant with the British Standard BS 5839, Part 8.

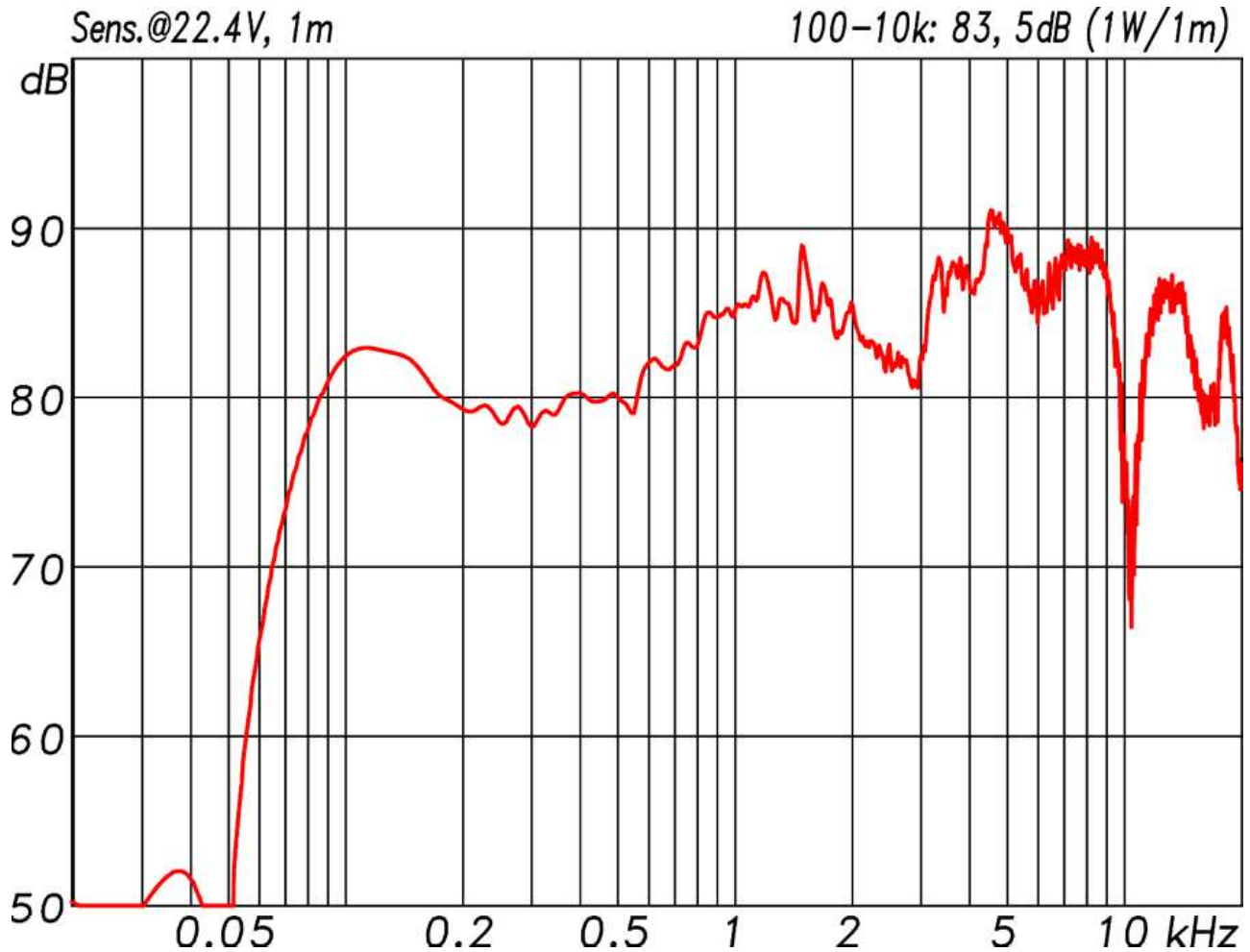


Polar Diagrams



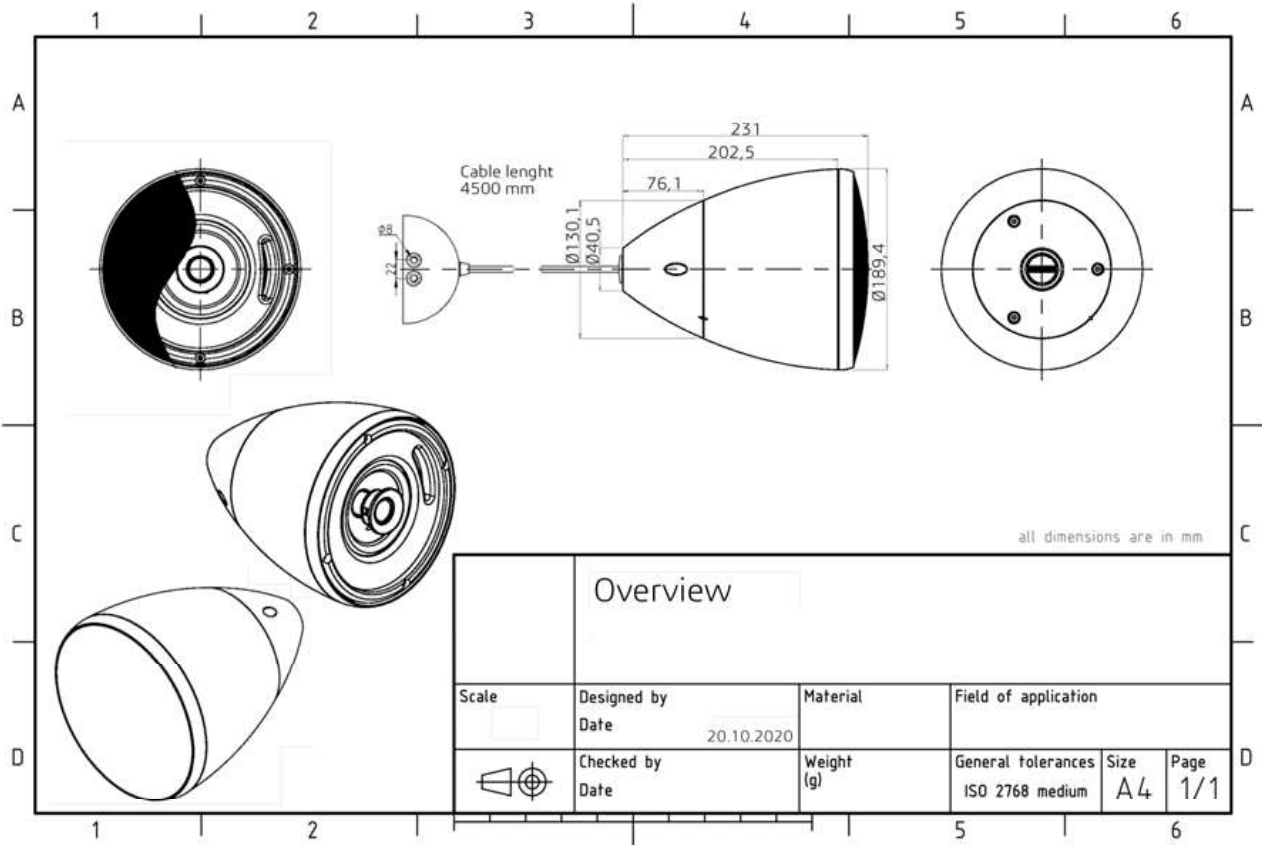


Frequency Response Diagrams





Technical Diagrams





### Technical Data (Electrical)

Description	SS-20W-ABS
Power	20 / 10 / 5 / 2.5 (8)W
Impedance (100V)	500 / 1000 / 2000 / 4000 / 8 ohm
Frequency Range	80 -20.000 Hz
Frequency Response	70 - 22.000 Hz
SPL, IEC268-5, 1W/1m	87 dB
SPL, EN54-24, Pmax./4m	84,1 dB
SPL, rated noise power / 4m	84,1 dB
Sensitivity EN54-24, 1W/4m	71,9 dB
Dispersion -6dB, 500Hz	h/v 360° / 360°
Dispersion -6dB, 1KHz	h/v 160° / 160°
Dispersion -6dB, 2KHz	h/v 102° / 102°
Dispersion -6dB, 4KHz	h/v 86° / 86°

### Technical Data (Mechanical)

Dimensions	189,4x231 mm
IP Rating	IP65
Weight (net)	2,02 kg
Temperature range	-10 / +55 C°
Mounting	Mounting hook
Connector	2-pin ceramic block
Maximum cable cross section	8mm <sup>2</sup>
Max. cable cross section loop	2x2mm <sup>2</sup>
Colour	RAL 9016